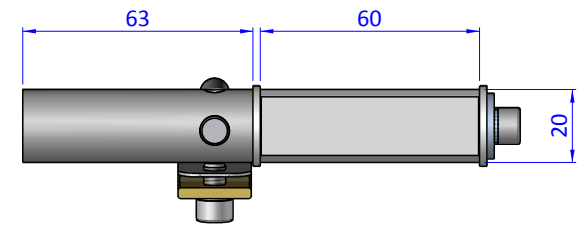
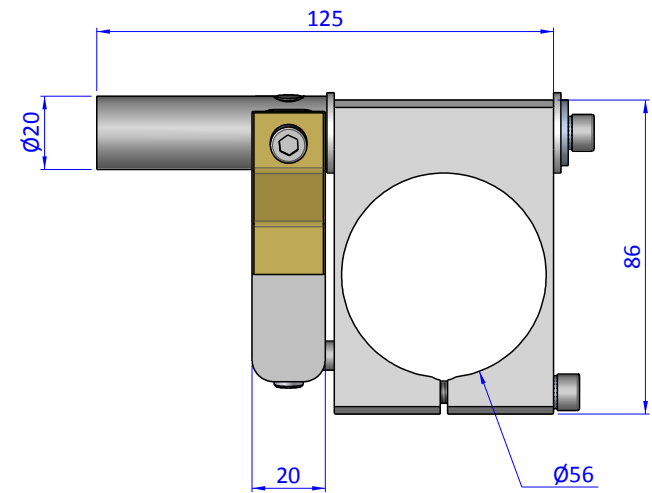
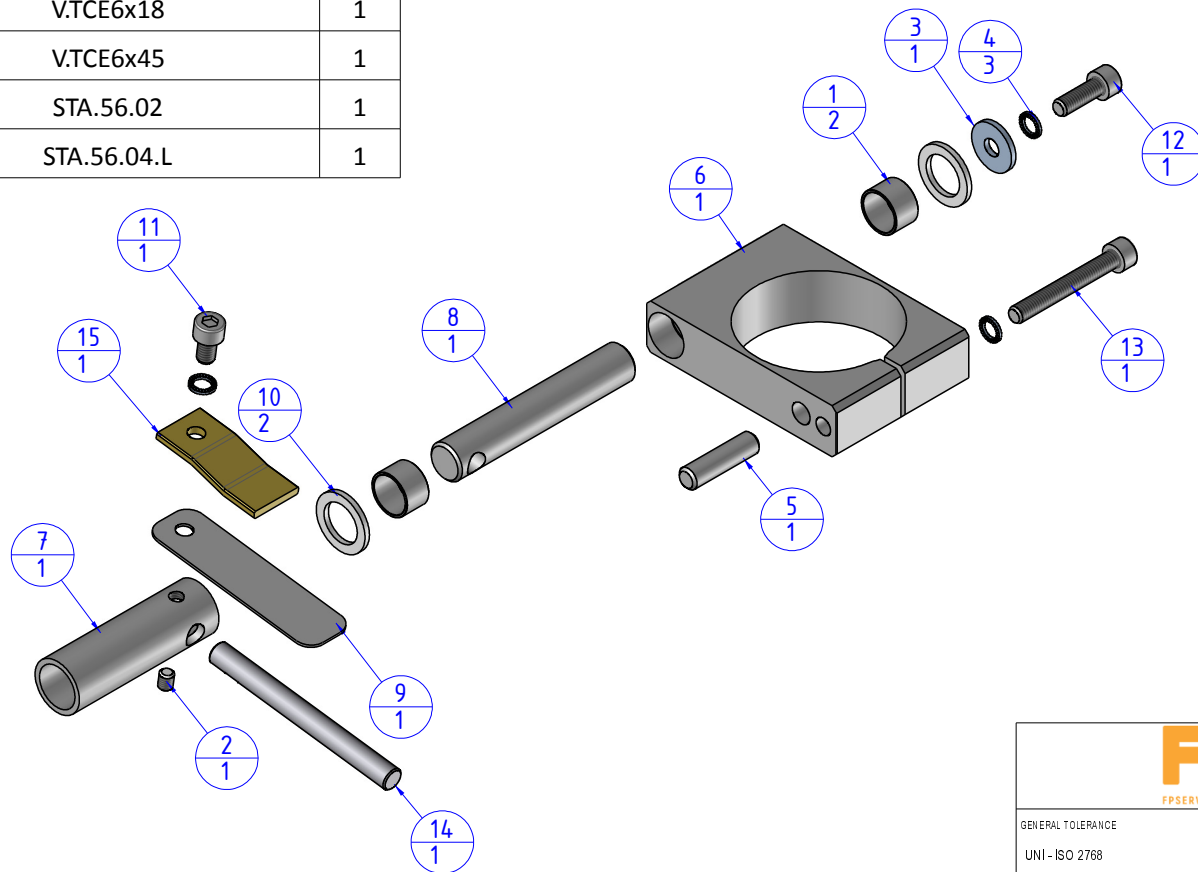



THE PROPERTY OF THE DRAWING IS ESTABLISHED BY LAW. IT IS FORBIDDEN TO PRODUCE OR SHOW IT TO THIRD PART, WITHOUT A WRITTEN AGREEMENT.

Item	Name	Q.ty
1	EGB.141610	2
2	GR.5X6	1
3	R.6.18	1
4	R.6.SCH	3
5	SP.8x30	1
6	STA.56.01	1
7	STA.56.06	1
8	STA.56.05	1
9	STA.56.03	1
10	PSP.15x22x02	2
11	V.TCE6x10	1
12	V.TCE6x18	1
13	V.TCE6x45	1
14	STA.56.02	1
15	STA.56.04.L	1



Format A3

UNI 936-76

 <b>FPS</b> FPSERVICES AUTOMATION		DESIGNED FROM		REVIEW
		FPS Automation		A
GENERAL TOLERANCE		DATE	WEIGHT	
UNI - ISO 2768		16/05/2019	0,320kg	
CLASSE f		CODE		
		CA.STA.56		CA.STA.56